

UNLESS OTHERWISE SPECIFIED: DIMENSIONS ARE IN INCHES TOLERANCES: FRACTIONAL $\pm$ ANGULAR: MACH $\pm$ BEND $\pm$ TWO PLACE DECIMAL $\pm$ THREE PLACE DECIMAL $\pm$	NAME: DEVCOM ARL	TITLE:  <h2 style="text-align: center;">BUTT JOINTS</h2>
	PHONE:	
	EMAIL:	
	DATE:	
MATERIAL 7075 AL AND 4043 STEEL	COMMENTS:	SCALE: 1:1
QTY: 2 OF EACH MATERIAL		



Approved for public release: distribution unlimited

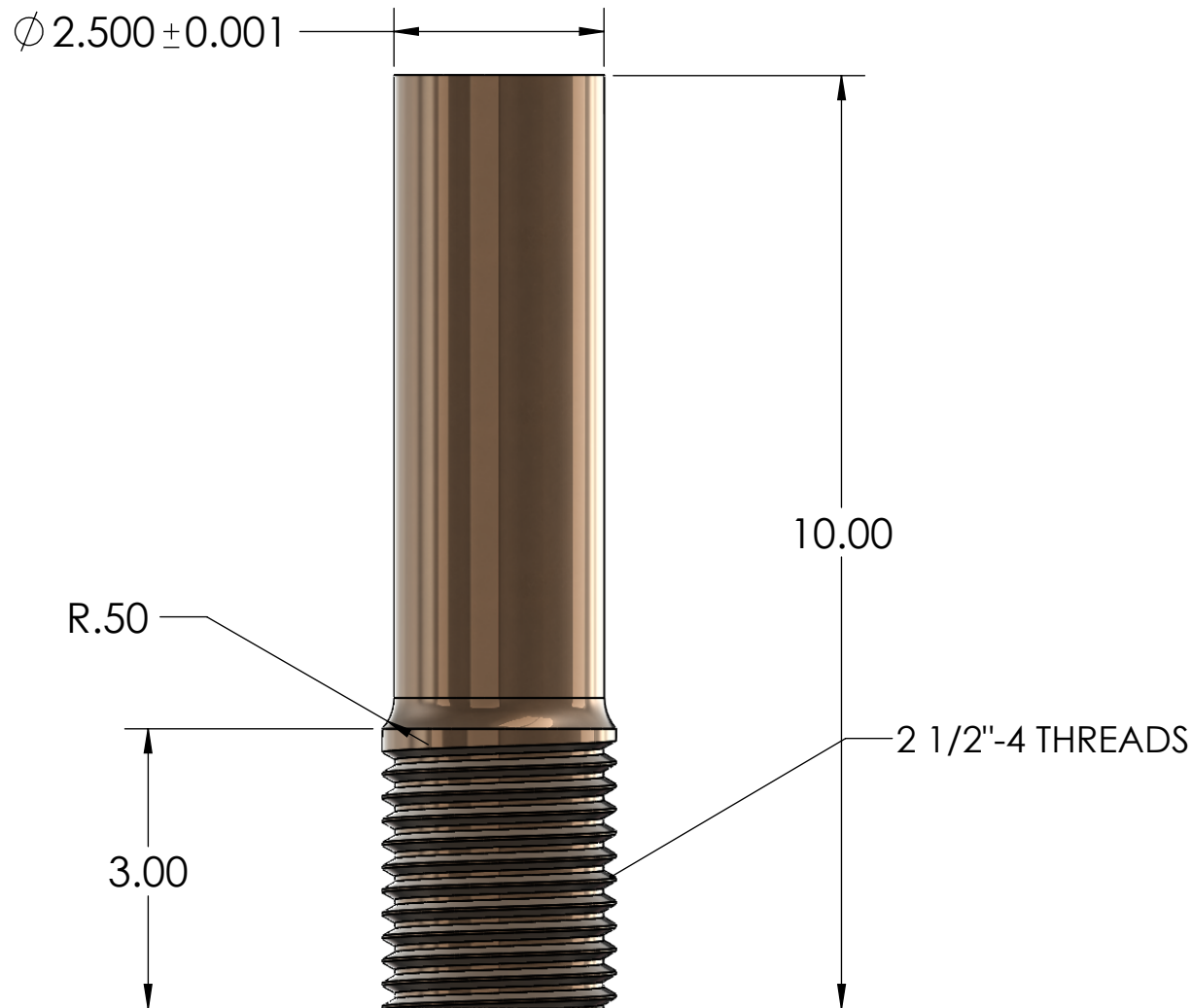
5

4

3

2

1

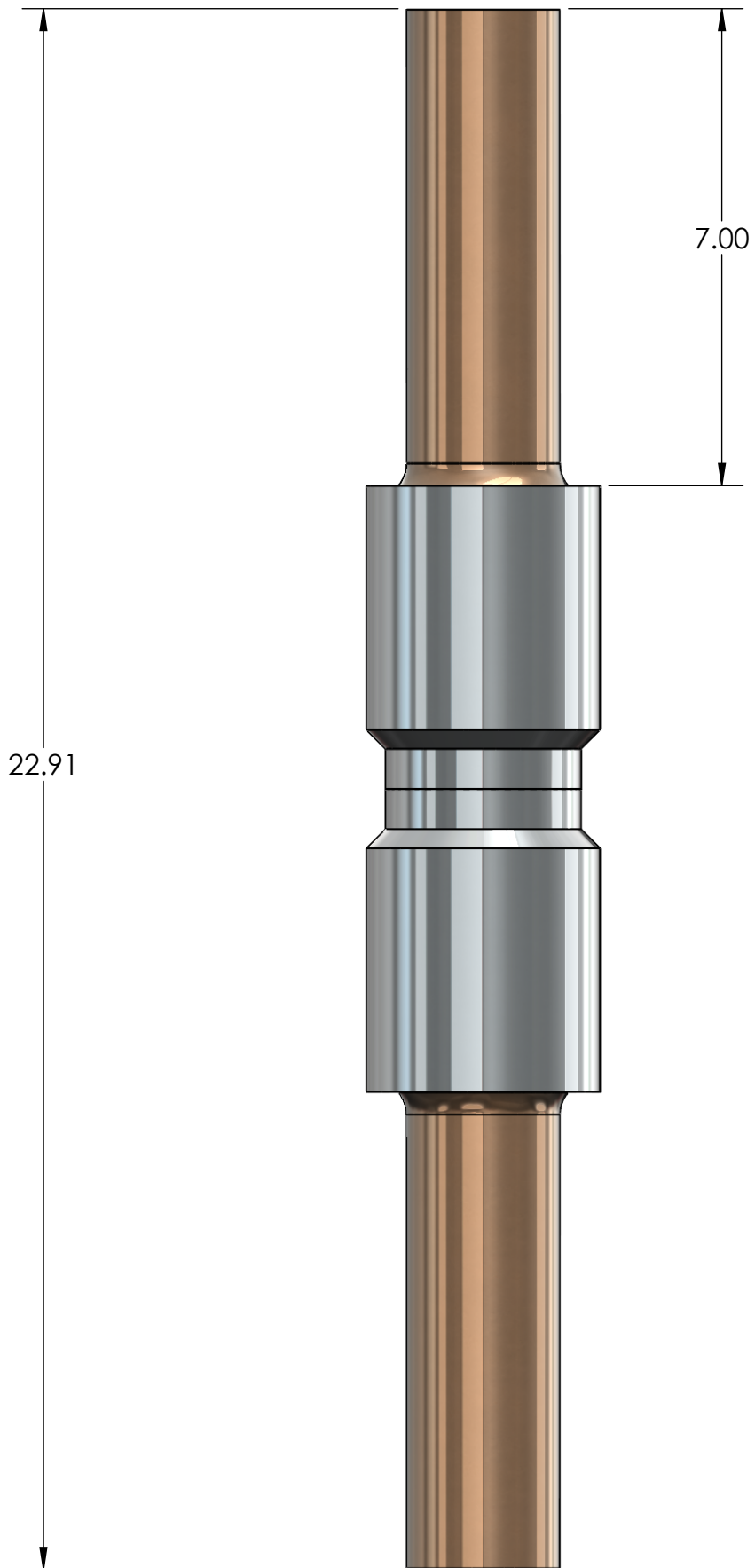


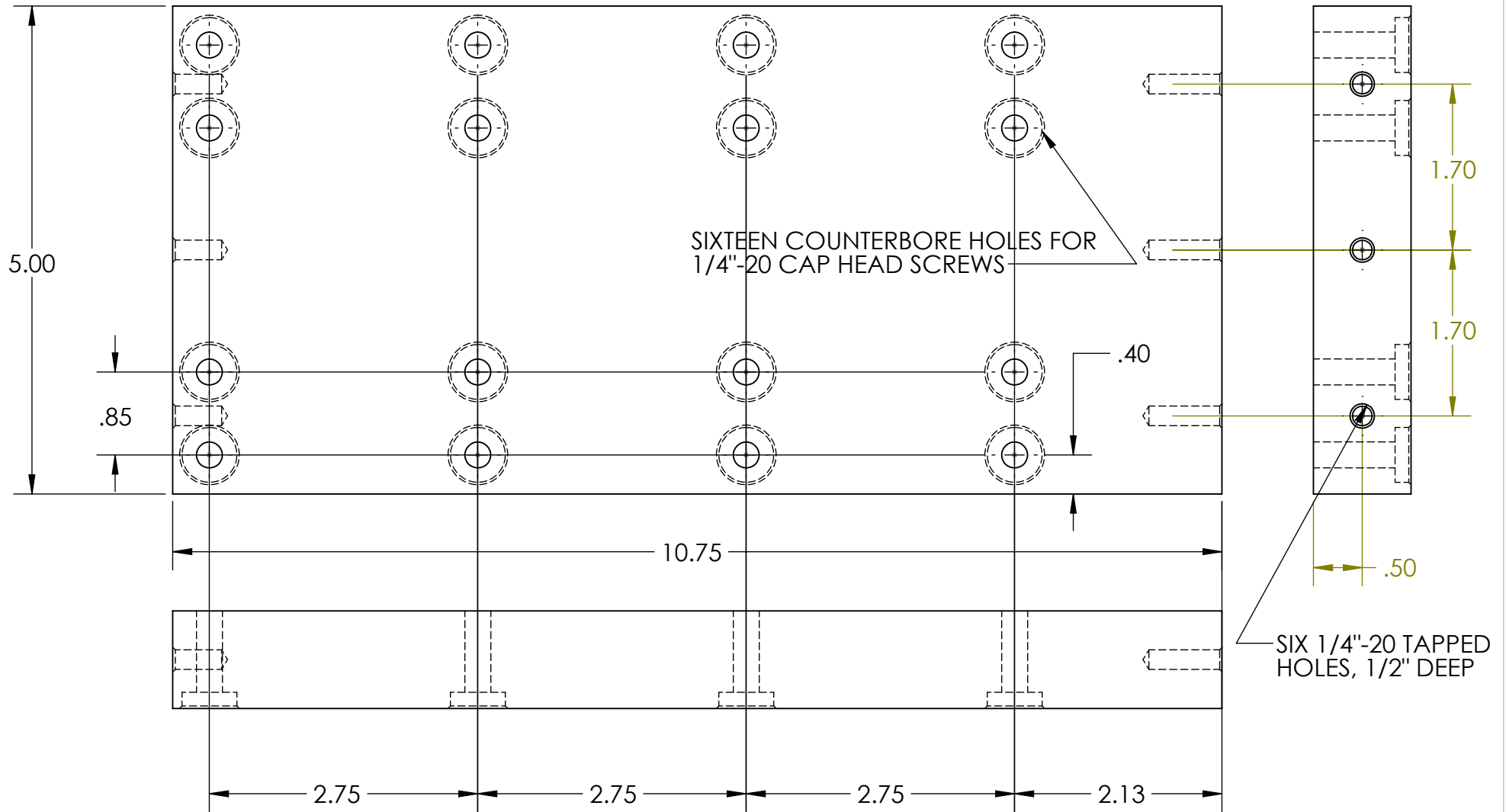
UNLESS OTHERWISE SPECIFIED: DIMENSIONS ARE IN INCHES TOLERANCES: FRACTIONAL ± ANGULAR: MACH ± BEND ± TWO PLACE DECIMAL ± THREE PLACE DECIMAL ±	NAME: DEVCOM ARL
	PHONE:
	EMAIL:
	DATE:
MATERIAL STEEL	COMMENTS:
QTY: 2	

TITLE:
ADAPTER FIXTURE FOR TENSILE BUTT- JOINTS
SCALE: 1:2



Approved for public release: distribution unlimited





Approved for public release: distribution unlimited

UNLESS OTHERWISE SPECIFIED: DIMENSIONS ARE IN INCHES TOLERANCES: FRACTIONAL ± ANGULAR: MACH ± BEND ± TWO PLACE DECIMAL ± THREE PLACE DECIMAL ±	NAME: DEVCOM ARL	<b>TITLE:</b>  <b>BOTTOM SUPPORT PLATE</b>  <b>SCALE: 1:1.5</b>
	PHONE:	
	EMAIL:	
	DATE: 29 AUG 2022	
MATERIAL 4340 STEEL	COMMENTS:	
QTY: 1		

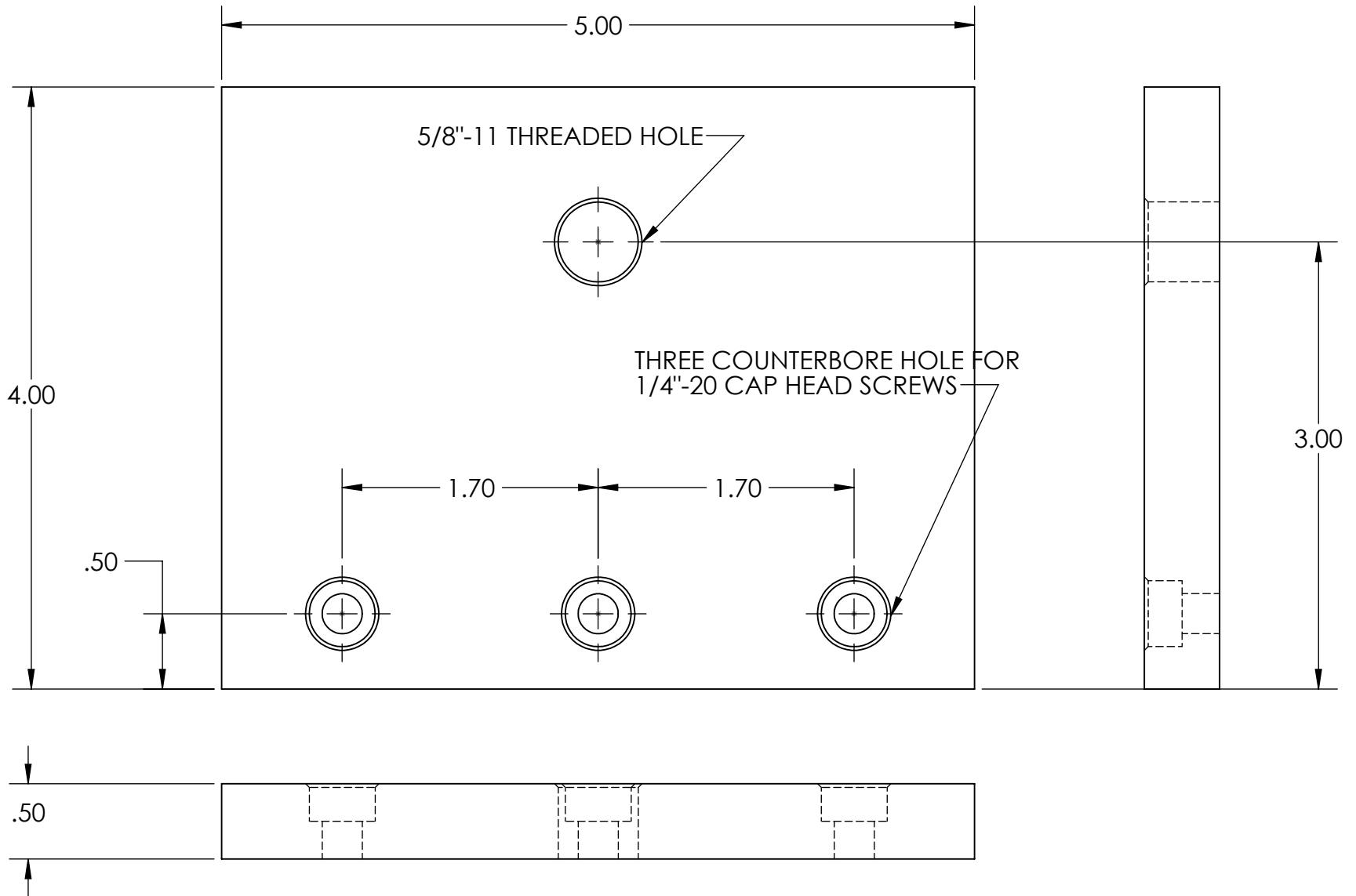
5

4

3

2

1

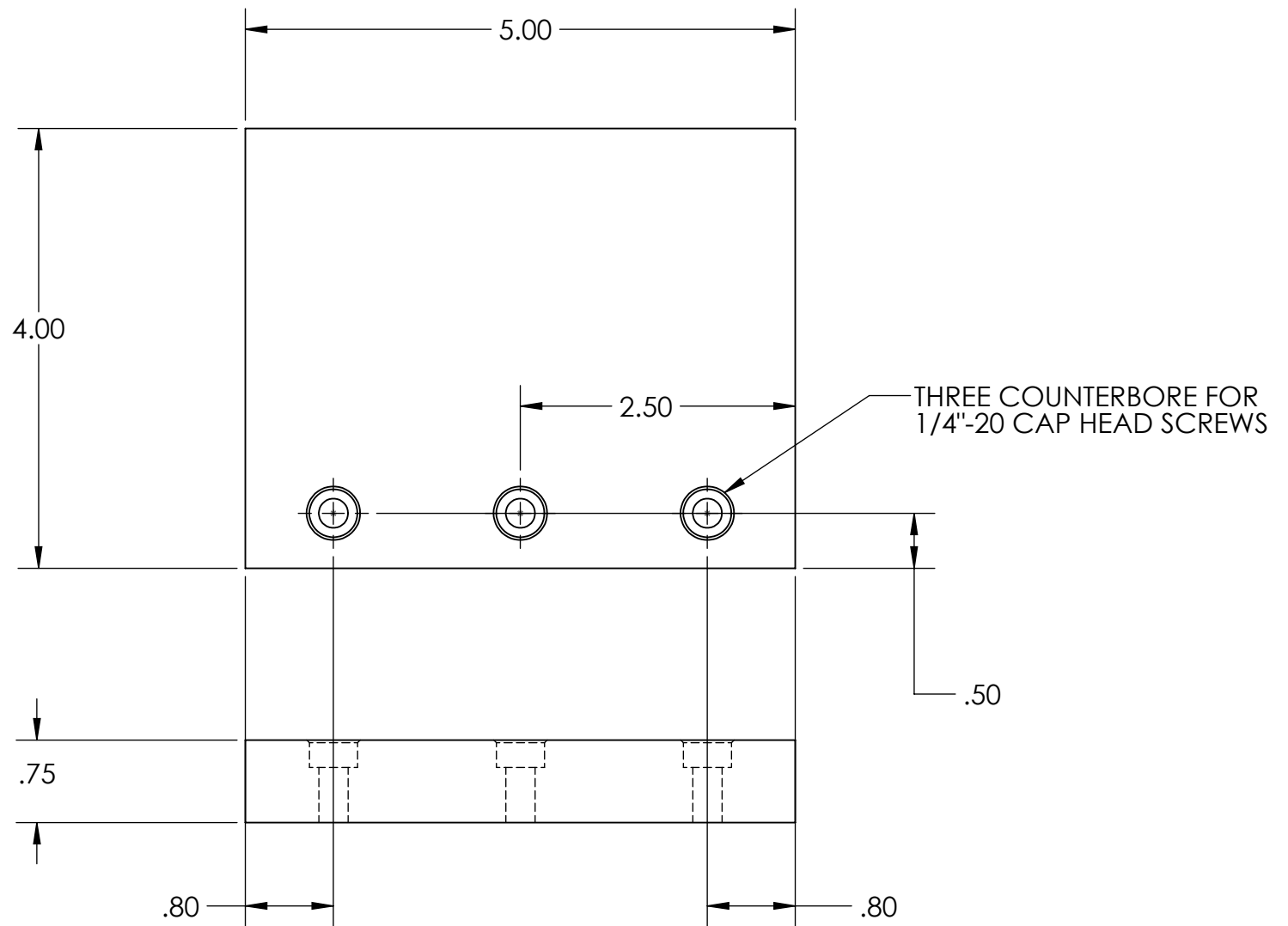


UNLESS OTHERWISE SPECIFIED: DIMENSIONS ARE IN INCHES TOLERANCES: FRACTIONAL ± ANGULAR: MACH ± BEND ± TWO PLACE DECIMAL ± THREE PLACE DECIMAL ±	NAME: DEVCOM ARL
	PHONE:
	EMAIL:
	DATE: 29 AUG 2022
MATERIAL 4340 STEEL	COMMENTS:
QTY: 1	

TITLE:  <b>FRONT SUPPORT</b>
SCALE: 1:1



Approved for public release: distribution unlimited.



Approved for public release: distribution unlimited

UNLESS OTHERWISE SPECIFIED: DIMENSIONS ARE IN INCHES TOLERANCES: FRACTIONAL ± ANGULAR: MACH ± BEND ± TWO PLACE DECIMAL ± THREE PLACE DECIMAL ±	NAME: DEVCOM ARL	TITLE:  <b>BACK STOP PLATE</b>
	PHONE:	
EMAIL:		
DATE: 29 AUG 2022		
MATERIAL 4340 STEEL	COMMENTS:	SCALE: 1:1.5
QTY: 1		

5

4

3

2

1